

PK 14502 SH | PK 18502 SH

MAXIMUM COST-EFFECTIVENESS THANKS TO VERSATILE APPLICATIONS

LIFETIME EXCELLENCE



LIFETIME EXCELLENCE

PALFINGER loader cranes are convincing due to their superior life-cycle performance. They are the most economical and also the most reliable over the entire product life. From solution finding to resale.

- **Better solutions**
- **Better efficiency**
- **Better ergonomics**
- **Higher availability**
- **More reliability**
- **Better ecology**
- **Higher serviceability**
- **Higher value retention**



EFFICIENCY IS IT'S STRENGTH

- More lifting power due to S-HPLS
- Additional applications with Power Link Plus
- Increased comfort and safety due to Soft Stop
- Practical and attractive due to Functional Design
- High value retention due to coating technology





FIRST-RATE IN DESIGN AND PERFORMANCE

12 Highlights



Power Link Plus

Wide-ranging applications

With the 15 degree reverse linkage system, you can reach through low door openings and also work inside buildings. Heavy crane work – even in difficult conditions.



Low-maintenance extension system

Reduces service time

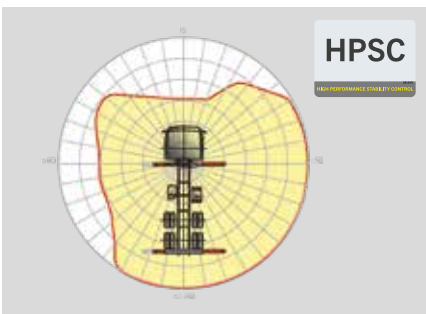
With sliding elements made of synthetic material and the high-quality KTL coating, this boom system significantly simplifies service performed by the operator. This saves time and money – and protects the environment.



High Speed Extension

For efficient assignments

The High Speed Extension speeds up the extension boom system. Crane works faster and more efficiently.



HPSC

Maximum utilisation of the working range

The variable stabiliser positioning of the High Performance Stability Control System allows the full lifting capacity of the crane to be used, even when working within tight spaces.



S-HPLS

More lifting power when it counts

S-HPLS is one of the most important functions of the PALTRONIC 150. It is a fully automatic system for increasing lifting power. The lifting power and crane speed can be continuously adapted to suit requirements.



PALcom P7

Communication with the operator

The new PALcom P7 features a modern, ergonomic design. The centrally located knob „PALdrive“ and a large colour display enables easy and safe operation.



Coating technology

Top quality surface protection at a glance

The KTL coating lays the foundation for a perfect surface protection. Afterwards the components are either coated in the powder-coating facility or are finished with a two-components-topcoat. High value retention and excellent corrosion protection for the whole life of a crane.



Functional design

Practical and attractive

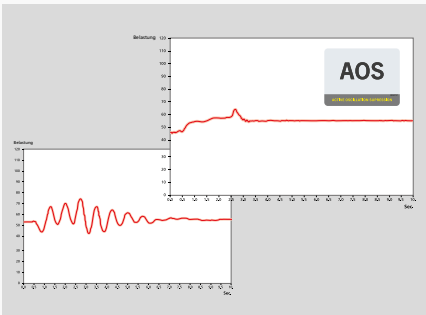
Robust plastic covers protect crane parts against dirt and damage. Improved looks and increased operational comfort – throughout the entire lifetime.



Hose equipment for attachments

Versatile and user-friendly

The hose equipment offers an easy means of connecting auxiliary equipment. The hose equipment is guided in hose trays for protection.



AOS

Maximum precision and safety

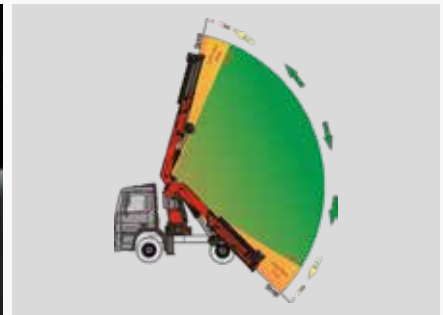
The active oscillation suppression system prevents „post-oscillation“ in the event of rapid braking or load changes. The stress peaks on the extension boom system are reduced and material fatigue and wear are minimized. This increases the resale value.



Lighting package

More crane safety particularly at dusk and dark

LEDs which backlight the control panel make it easier to read off the crane functions and provide the crane operator with a quick overview of the entire panel during the working process. LED warning lights in the supporting cylinders mean greater safety for crane operator and passers-by.



Soft Stop function

Improved comfort and safety

The Soft Stop function is an electronic limit position damper. It causes gentle braking of all crane movements before the limit position is reached. Hence, jerky movements and load impacts can be avoided. The crane can be operated more gently and precisely.

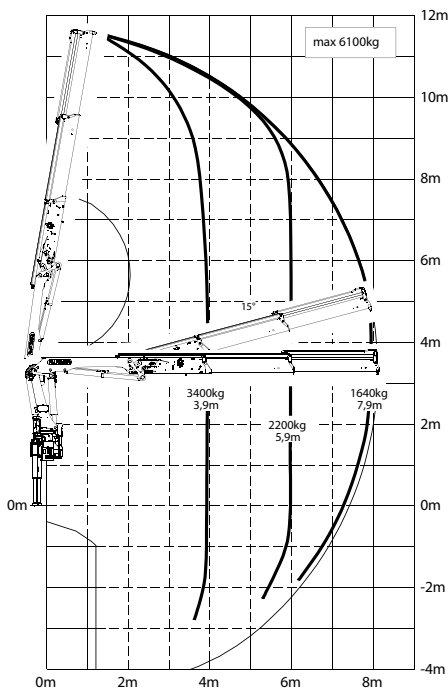


PK 14502 SH

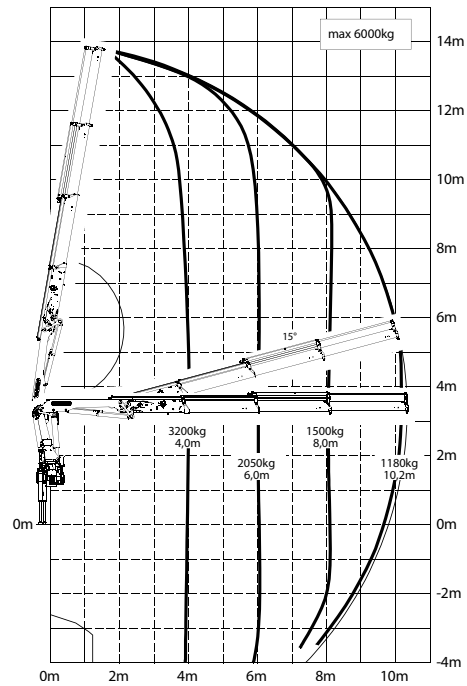
HIGH PERFORMANCE

Reliable. Crane's entire lifetime.

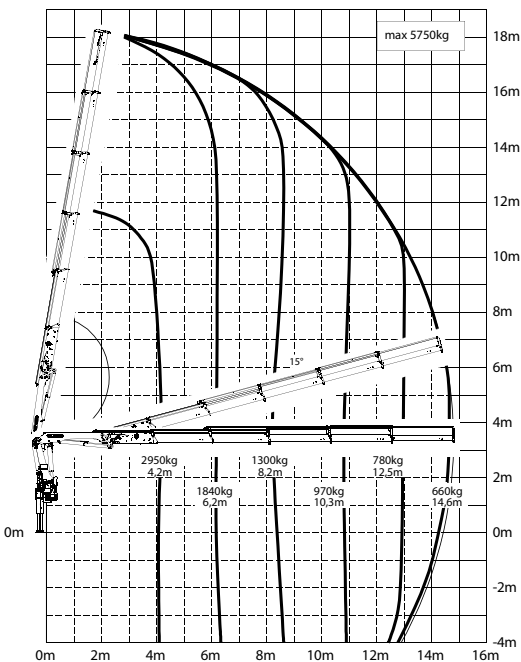
A



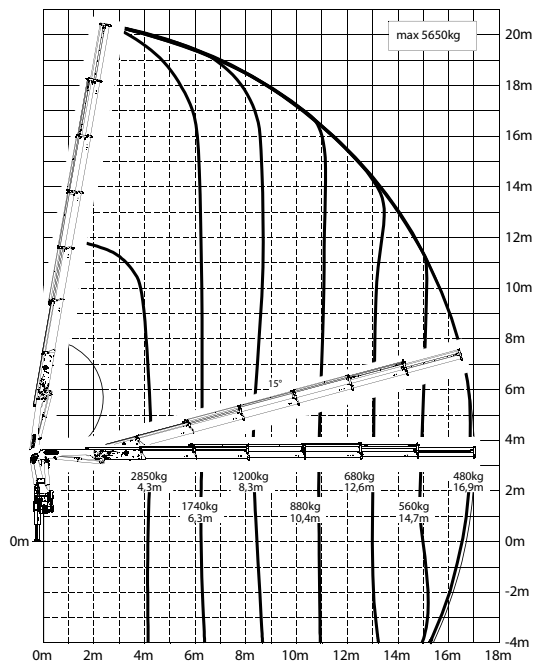
B



D



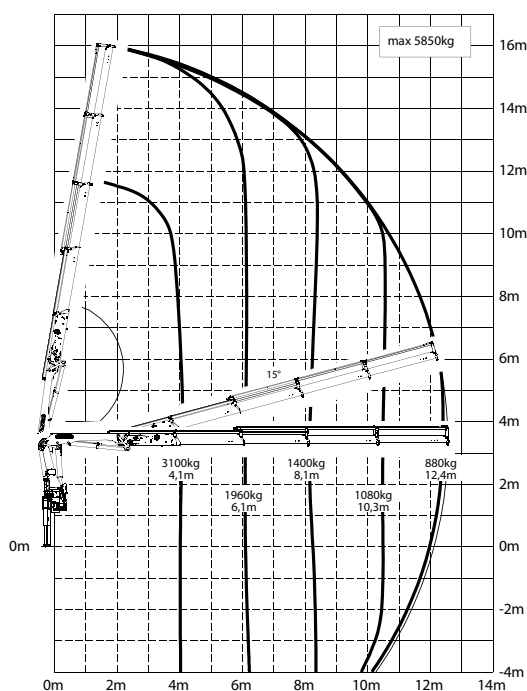
E



The outreaches stated are with a boom angle of 20° and are therefore not the maximum.

Lifting capacities

C



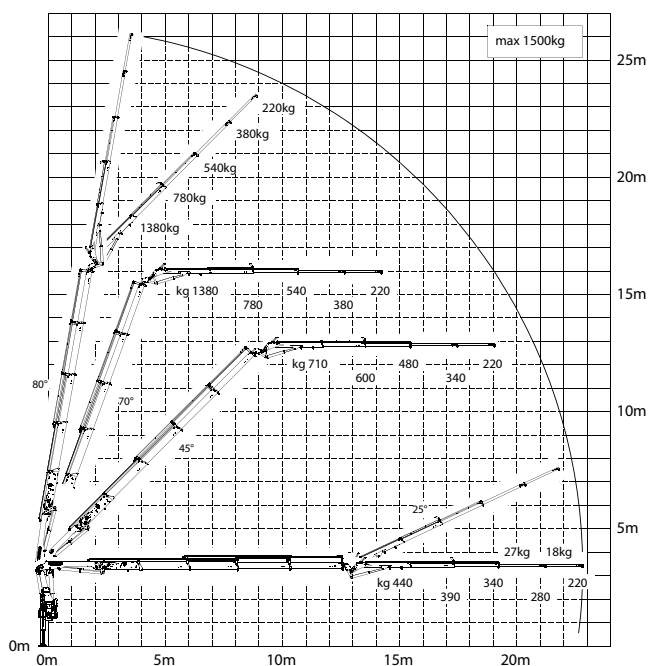
max.		6100 kg	13500 lbs	A
3.9 m	13 ft	3400 kg	7400 lbs	
5.9 m	20 ft	2200 kg	4850 lbs	
7.9 m	26 ft	1640 kg	3600 lbs	

max.		6000 kg	13200 lbs	B
4.0 m	13 ft	3200 kg	7100 lbs	
6.0 m	20 ft	2050 kg	4550 lbs	
8.0 m	26 ft	1500 kg	3350 lbs	
10.2 m	33 ft	1180 kg	2600 lbs	
12.4 m*	41 ft	890 kg	1960 lbs	
14.6 m*	48 ft	700 kg	1540 lbs	

max.		5850 kg	12900 lbs	C
4.1 m	13 ft	3100 kg	6800 lbs	
6.1 m	20 ft	1960 kg	4300 lbs	
8.1 m	27 ft	1400 kg	3100 lbs	
10.3 m	34 ft	1080 kg	2350 lbs	
12.4 m	41 ft	880 kg	1940 lbs	
14.6 m*	48 ft	690 kg	1520 lbs	
16.8 m*	55 ft	560 kg	1220 lbs	

max.		5750 kg	12700 lbs	D
4.2 m	14 ft	2950 kg	6500 lbs	
6.2 m	20 ft	1840 kg	4100 lbs	
8.2 m	27 ft	1300 kg	2850 lbs	
10.3 m	34 ft	970 kg	2150 lbs	
12.5 m	41 ft	780 kg	1720 lbs	
14.6 m	48 ft	660 kg	1440 lbs	
16.8 m*	55 ft	530 kg	1160 lbs	
18.8 m*	62 ft	440 kg	980 lbs	

C PJ040A JV2

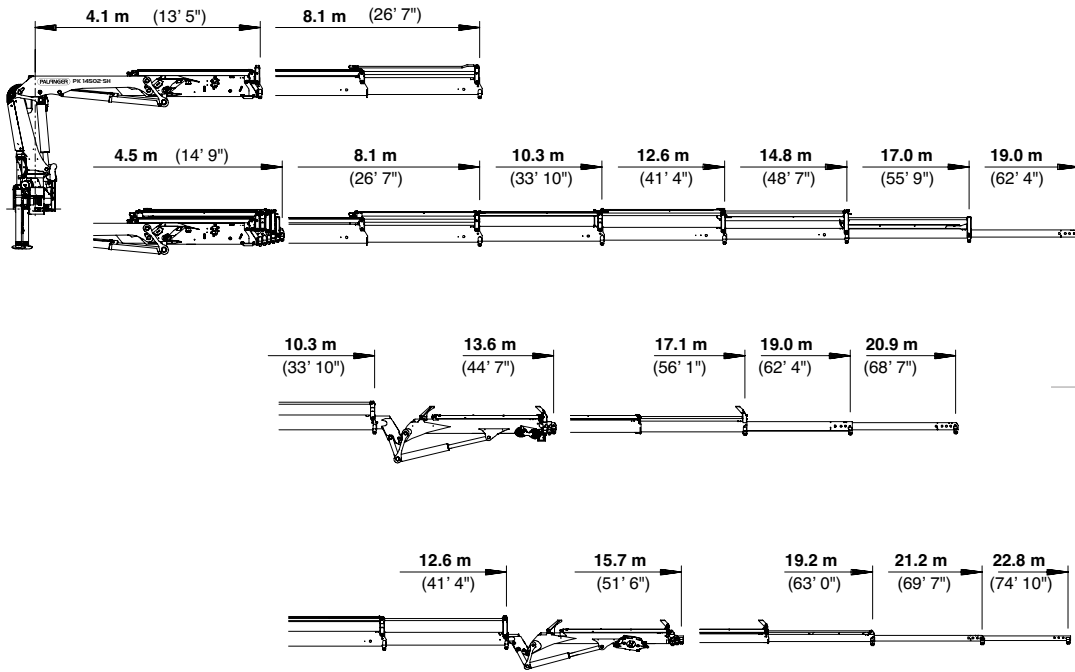


max.		5650 kg	12500 lbs	E
4.3 m	14 ft	2850 kg	6200 lbs	
6.3 m	21 ft	1740 kg	3850 lbs	
8.3 m	27 ft	1200 kg	2650 lbs	
10.4 m	34 ft	880 kg	1940 lbs	
12.6 m	41 ft	680 kg	1500 lbs	
14.7 m	48 ft	560 kg	1240 lbs	
16.9 m	55 ft	480 kg	1060 lbs	
18.9 m*	62 ft	400 kg	880 lbs	

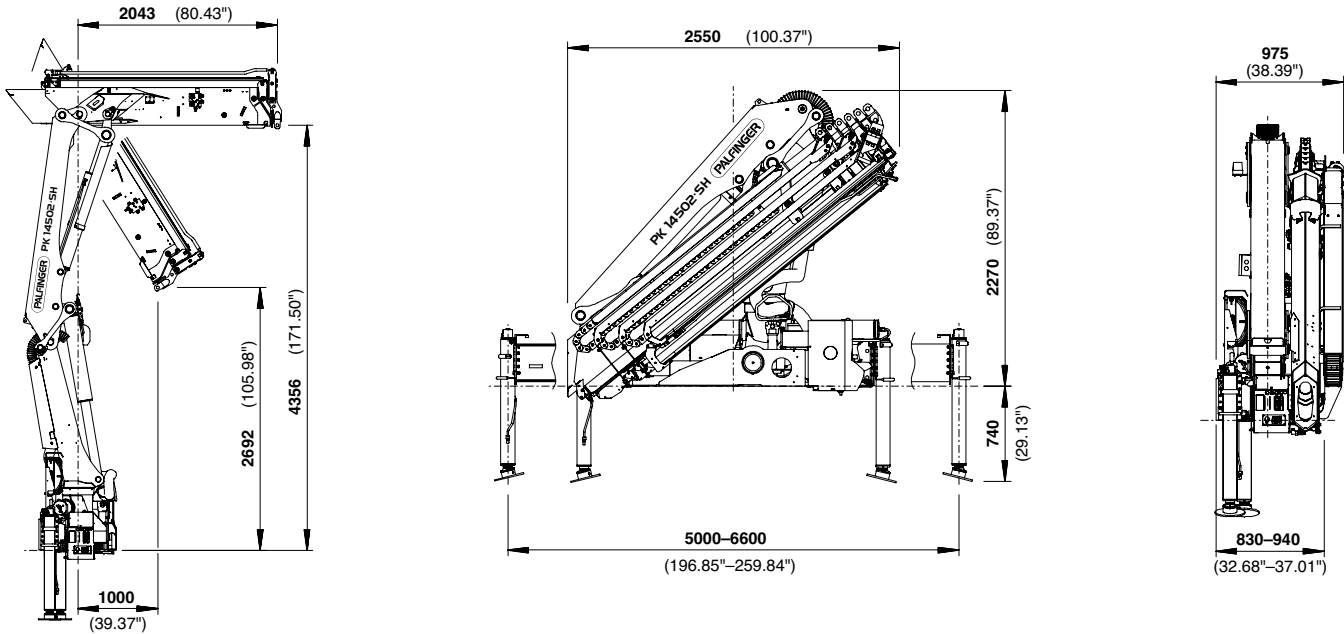
*mechanical extension

PERFECT DIMENSIONS

EXTENSION BOOM VARIATIONS



DIMENSIONS



Technical specifications

EN 12999 HC1 HD5/B3

PK 14502 SH

Max. lifting moment	13.8 mt/135.4 kNm	99860 ft.lbs
Max. lifting capacity	6200 kg/60.8 kN	13670 lbs
Max. hydraulic outreach	17.0 m	55' 9"
Max. manual outreach	19.0 m	62' 4"
Max. outreach (with fly-jib)	23.0 m	75' 6"

Slewing angle	420°	
---------------	------	--

Slewing torque	1.6 mt/15.7 kNm	11580 ft.lbs
----------------	-----------------	--------------

Stabilizer spread (std./max.)	5.0 m / 6.6 m	16' 5" / 21' 8"
-------------------------------	---------------	-----------------

B PJ060A JV2

Fitting space required (std.)	0.83 m	2' 9"
-------------------------------	--------	-------

Width folded	2.51 m	8' 3"
--------------	--------	-------

Max. operating pressure	365 bar	5293 psi
-------------------------	---------	----------

Recommended pump capacity	from 50 l/min to 70 l/min	13.2 US gal./min 18.5 US gal./min
---------------------------	------------------------------	--------------------------------------

Dead weight (std.)	1790 kg	3946 lbs
--------------------	---------	----------

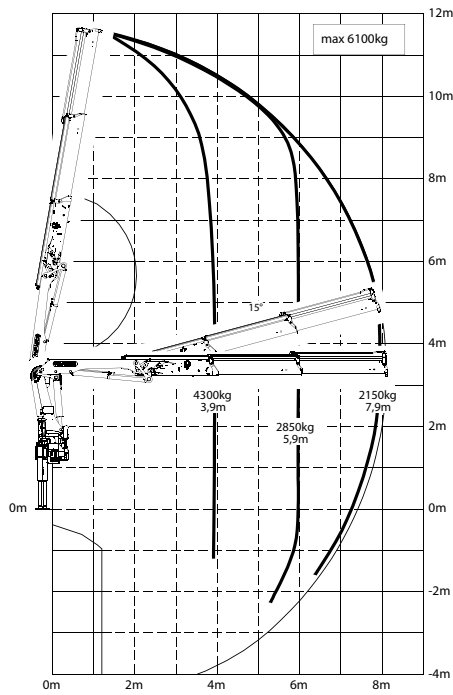
C PJ040A JV2

PK 18502 SH

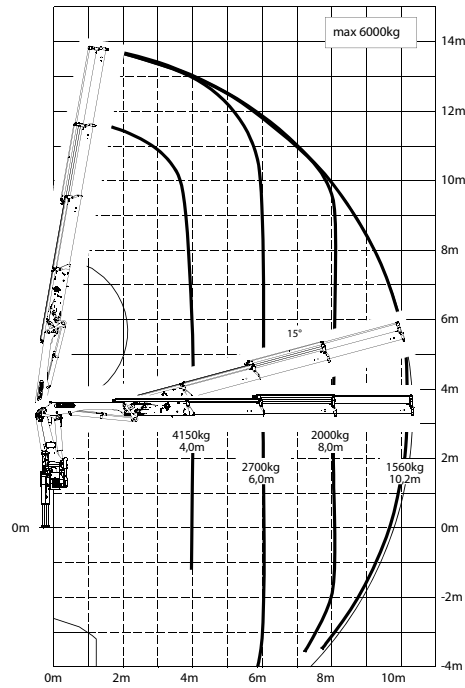
HIGH PERFORMANCE

Proven in long term applications.

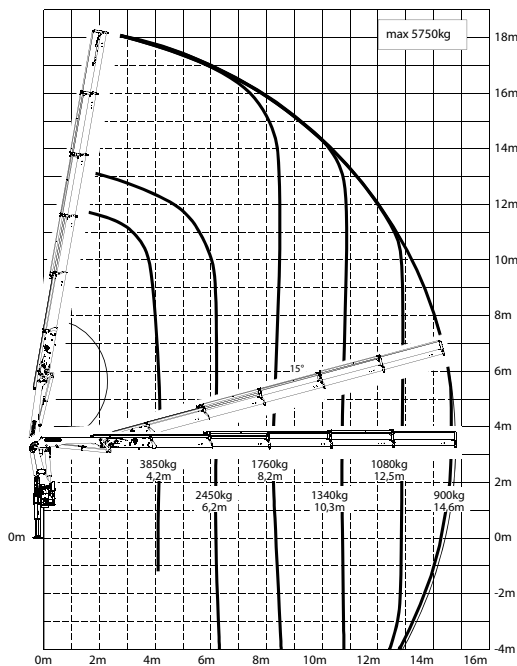
A



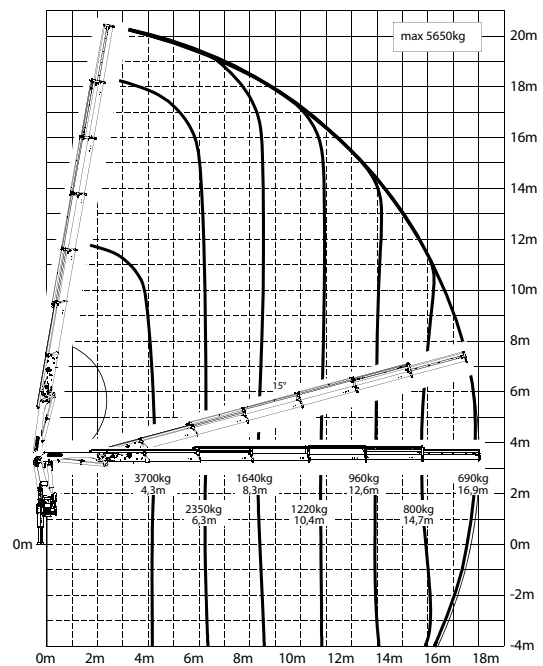
B



D



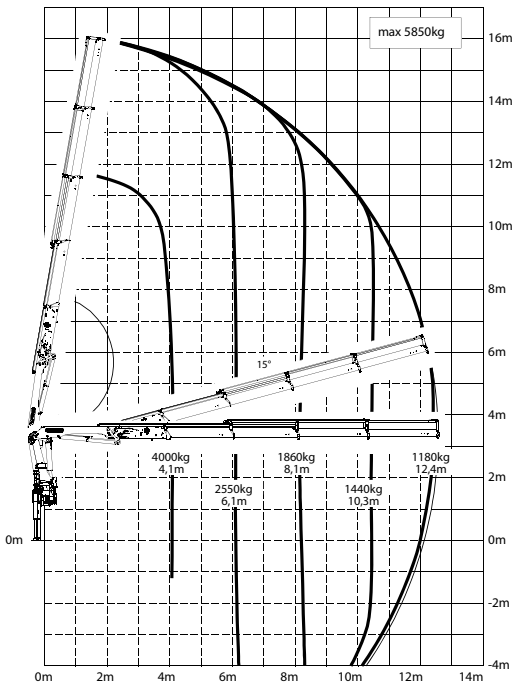
E



The outreaches stated are with a boom angle of 20° and are therefore not the maximum.

Lifting capacities

C



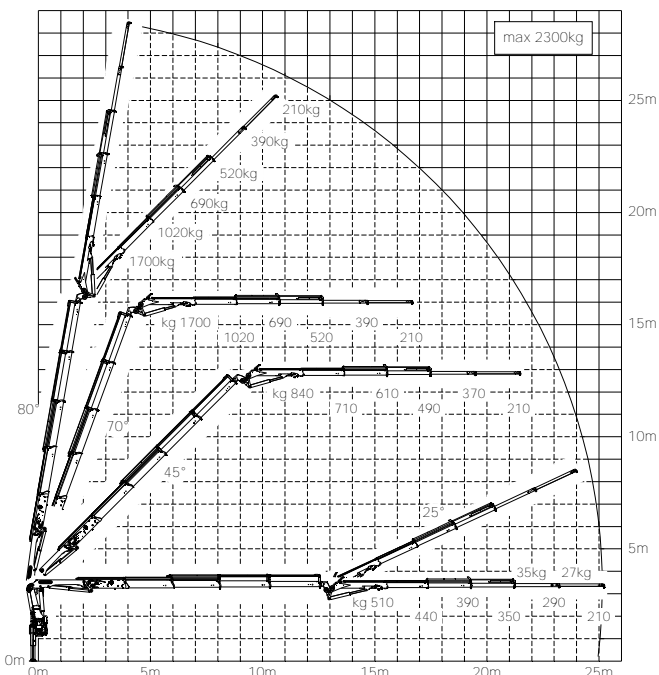
max.		6100 kg	13500 lbs	A
3.9 m	13 ft	4300 kg	9500 lbs	
5.9 m	20 ft	2850 kg	6300 lbs	
7.9 m	26 ft	2150 kg	4700 lbs	

max.		6000 kg	13200 lbs	B
4.0 m	13 ft	4150 kg	9100 lbs	
6.0 m	20 ft	2700 kg	6000 lbs	
8.0 m	26 ft	2000 kg	4400 lbs	
10.2 m	33 ft	1560 kg	3450 lbs	
12.4 m*	41 ft	1220 kg	2660 lbs	
14.6 m*	48 ft	970 kg	2140 lbs	

max.		5850 kg	12900 lbs	C
4.1 m	13 ft	4000 kg	8800 lbs	
6.1 m	20 ft	2550 kg	5700 lbs	
8.1 m	27 ft	1860 kg	4100 lbs	
10.3 m	34 ft	1440 kg	3200 lbs	
12.4 m	41 ft	1180 kg	2600 lbs	
14.6 m*	48 ft	950 kg	2080 lbs	
16.8 m*	55 ft	780 kg	2020 lbs	

max.		5750 kg	12700 lbs	D
4.2 m	14 ft	3850 kg	8500 lbs	
6.2 m	20 ft	2450 kg	5400 lbs	
8.2 m	27 ft	1760 kg	3850 lbs	
10.3 m	34 ft	1340 kg	2950 lbs	
12.5 m	41 ft	1080 kg	2350 lbs	
14.6 m	48 ft	900 kg	2000 lbs	
16.8 m*	55 ft	740 kg	1640 lbs	
18.8 m*	62 ft	620 kg	1380 lbs	

C PJ060B JV2

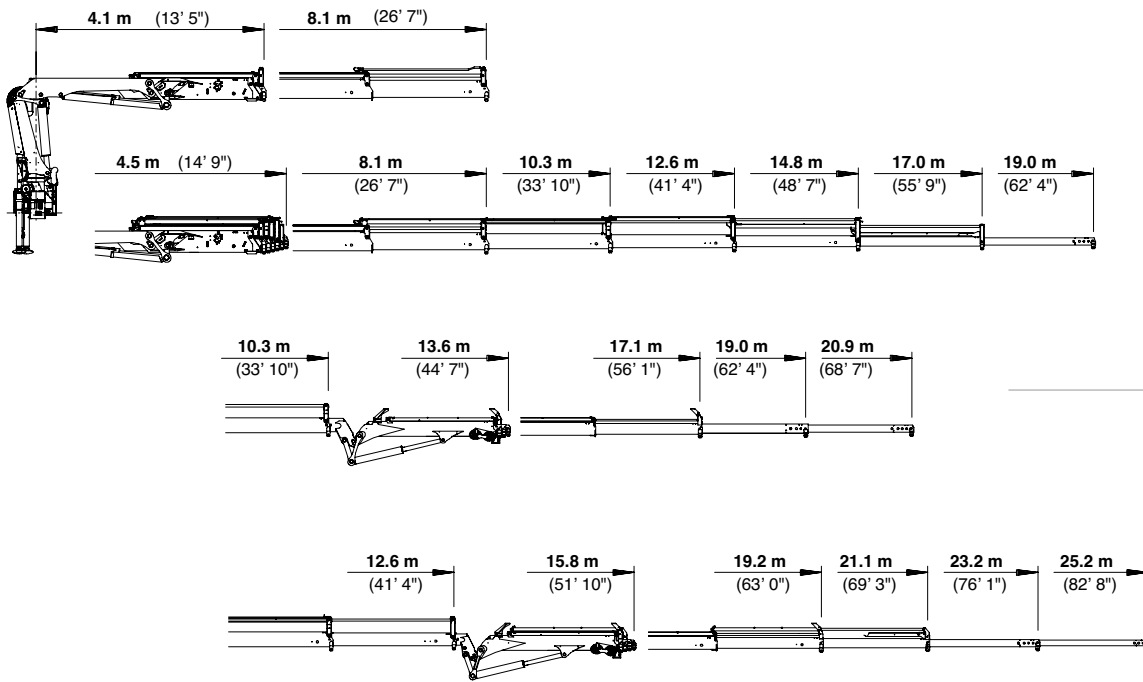


max.		5650 kg	12500 lbs	E
4.3 m	14 ft	3700 kg	8100 lbs	
6.3 m	21 ft	2350 kg	5100 lbs	
8.3 m	27 ft	1640 kg	3600 lbs	
10.4 m	34 ft	1220 kg	2700 lbs	
12.6 m	41 ft	960 kg	2150 lbs	
14.7 m	48 ft	800 kg	1760 lbs	
16.9 m	55 ft	690 kg	1520 lbs	
18.9 m*	62 ft	580 kg	1280 lbs	

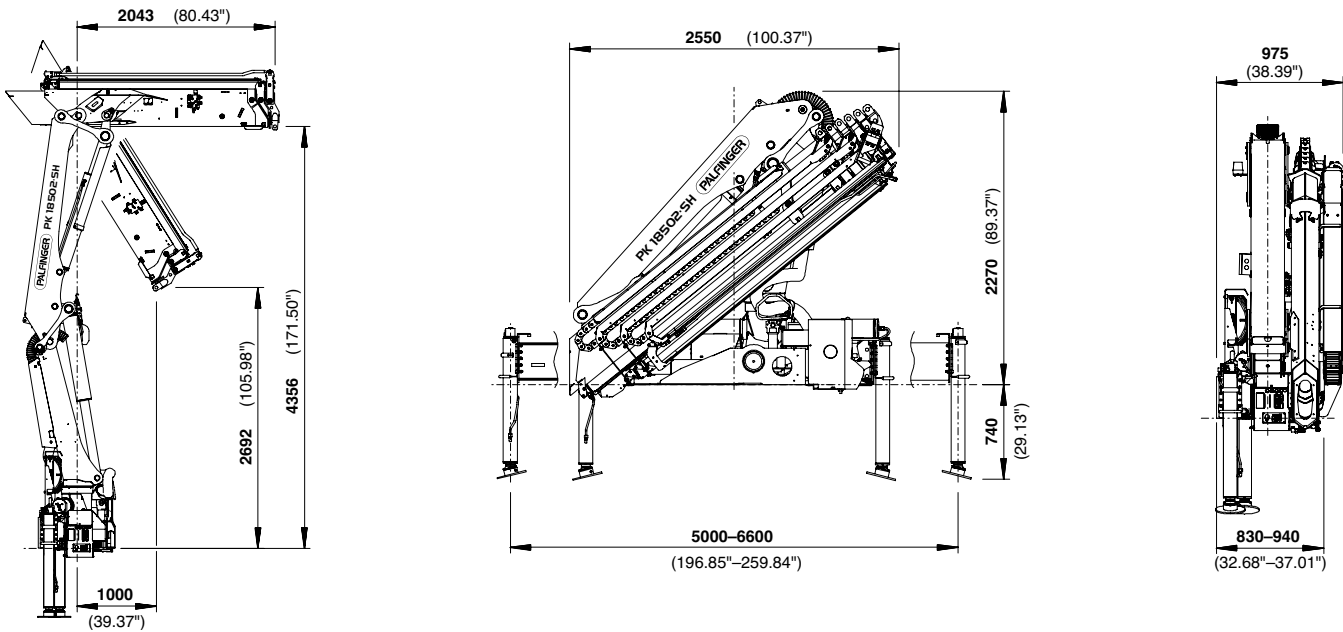
*mechanical extension

PERFECT DIMENSIONS

EXTENSION BOOM VARIATIONS



DIMENSIONS



Technical specifications

EN 12999 HC1 HD5/B3

PK 18502 SH

Max. lifting moment	17.6 mt/172.7 kNm	127370 ft.lbs
Max. lifting capacity	6200 kg/60.8 kN	13670 lbs
Max. hydraulic outreach	17.0 m	55' 9"
Max. manual outreach	19.0 m	62' 4"
Max. outreach (with fly-jib)	25.1 m	82' 4"

Slewing angle	420°	
---------------	------	--

Slewing torque	2.0 mt/19.6 kNm	14450 ft.lbs
----------------	-----------------	--------------

Stabilizer spread (std./max.)	5.0 m / 6.6 m	16' 5" / 21' 8"
-------------------------------	---------------	-----------------

B PJ060A JV2

Fitting space required (std.)	0.83 m	2' 9"
-------------------------------	--------	-------

Width folded	2.51 m	8' 3"
--------------	--------	-------

Max. operating pressure	365 bar	5293 psi
-------------------------	---------	----------

Recommended pump capacity	from 60 l/min to 80 l/min	15.9 US gal./min 21.1 US gal./min
---------------------------	------------------------------	--------------------------------------

C PJ060B JV2

Dead weight (std.)	1890 kg	4167 lbs
--------------------	---------	----------



KP-H14/18502M3+EN

Cranes shown in the leaflet are partially optional equipped and do not always correspond to the standard version. Country-specific regulations must be observed. Dimensions may vary. Subject to technical changes, errors and translation mistakes.